



## Technical Bulletin

### Potential for High Voltage on W Terminal

Document #: TB-FLEX-01292024

Date Issued: 01/29/2024

Author: Richard Gardner

Product Group: FLEXX

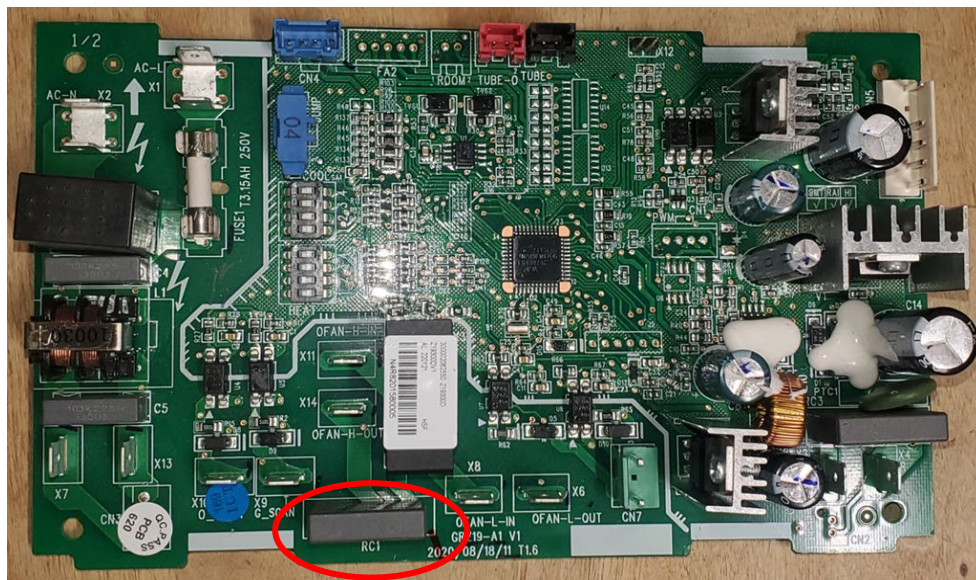
Models Affected: FLEXX24HP230V1BH, FLEXX36HP230V1BH, FLEXX48HP230V1BH, FLEXX60HP230V1BH

Part Number: 300002062550

**Note: If there are no wires on X11 & X14, or there is no capacitor at RC1 disregard this bulletin.**

#### Summary:

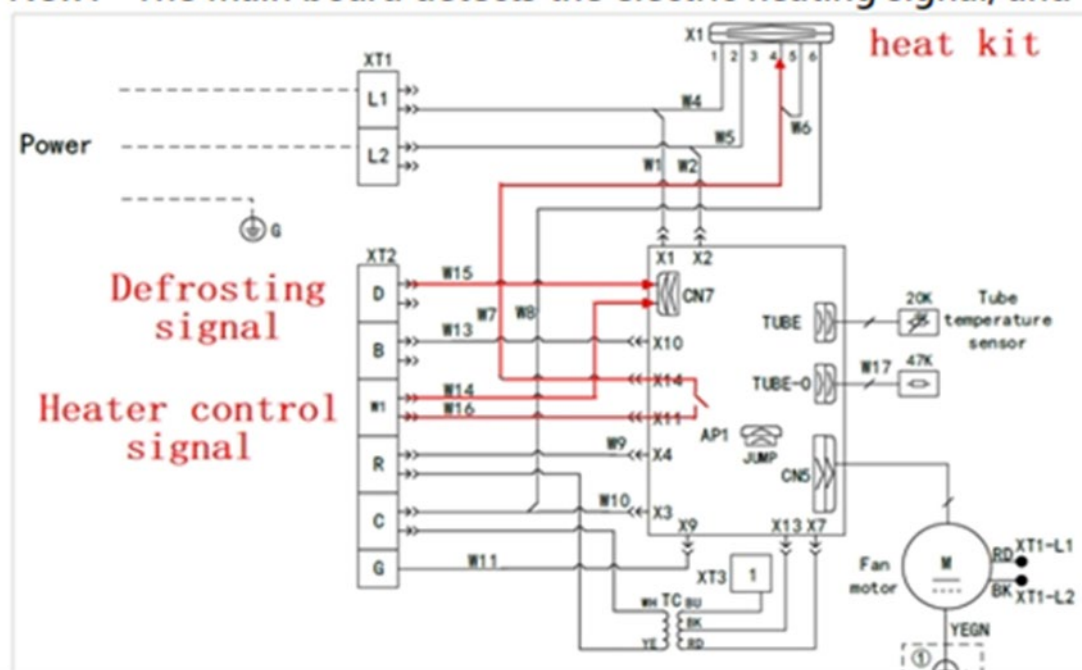
FLEXX BH model replacement main board 30002062550 has a capacitor labeled RC1 that connects high voltage into the low voltage W circuit. If the thermostat makes a call for heat on W, high voltage will travel into the thermostat on W causing damage.



## Solution:

There are two possible solutions:

1. If an electric heat kit is used, remove W16 from W and X11 terminals. Remove W7 from X14 and connect it to W where W16 was removed.



2. If no electric heat kit is installed, simply remove the wires from X11 and X14.

The issue has been addressed at the factory. New production boards do not have the capacitor at RC1.