

SUBMITTAL DATA SHEET



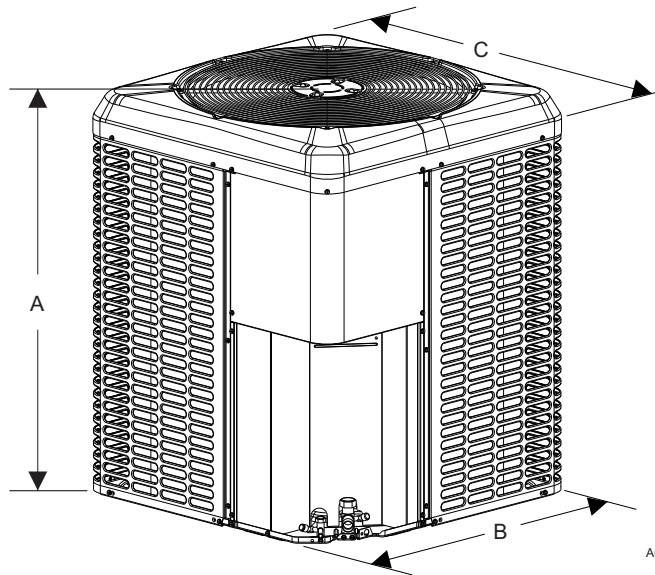
LX SERIES SPLIT SYSTEM HEAT PUMPS
16 SEER – R-410A – 1 PHASE – 1.5 THRU 5 NOMINAL TONS
MODELS: CH6B18 THRU 60

JOB NAME:			LOCATION:		
PURCHASER:			ORDER NO:		
ENGINEER:					
SUBMITTED TO:		FOR:	REF:	APPROVAL:	CONSTRUCTION:
SUBMITTED BY:			DATE:		
UNIT DESIGNATION:			SCHEDULE NO.		MODEL NO.

PRODUCT DATA

Cooling Performance	
Total Capacity _____	MBH
Outdoor Design Temp _____	°F
Electrical Data	
Power Supply _____ / _____ / _____	
Compressor Ampacity _____	AMPs
Total Unit Ampacity _____	AMPs
Power Input Req _____	KW
Minimum Wire Size _____	AWG
Maximum Overcurrent Device	
<input type="checkbox"/> Fuses	<input type="checkbox"/> Circuit Breaker
Unit Weight	
Unit Weight _____	LBS

DIMENSIONS - INCHES



A0339-001

Unit Model	Dimensions (Inches)			Refrigerant Connection Service Valve Size	
	A	B	C	Liquid	Vapor
CH6B1821S	36-1/4	29-1/4	29-1/4	3/8	3/4
CH6B2421S	39-1/2	35-1/4	31-3/4		
CH6B3021S	39-1/2	35-1/4	31-3/4		
CH6B3621S	39-1/2	35-1/4	31-3/4		7/8
CH6B4221S	39-1/2	38	31-3/4		
CH6B4821S	46	38	34-1/4		
CH6B6021S	46	38	34-1/4	7/8 [‡]	

[‡] Adapter fitting must be field installed for the required 1-1/8" line set.
 All dimensions are in inches and are subject to change without notice.
 Overall height is from bottom of base pan to top of fan guard.
 Overall length and width include screw heads.



ISO 9001
 Certified Quality
 Management System

FEATURES

- **Easier Installation** - Independent panels provide quick access for unit setup. Installation time is reduced by easy power and control wiring access. All models utilize TXV's. The factory installed Stainless Steel filter-drier and factory charge for a 15-Ft lineset means less time spent brazing and charging the system. The small base dimension and reduced unit clearances make for easier retrofits.
- **Accessible Information** - QR code on unit provides quick access to technical documents and warranty information.
- **Durable Finish** - The coated steel wire fan guard, coated external fasteners, and pre-treated G90-equivalent galvanized steel chassis components resist corrosion and rust creep. Titanium colored powdercoat paint further protects external panels.
- **Rugged Coil Protection** - Coils are protected from mechanical damage by a proven extruded louver stamped steel coil guard design.
- **Quality Coils** - Enhanced aluminum fins are mechanically bonded to copper tubing.
- **Protected Compressor** - Compressors are protected internally by a high pressure relief valve and a temperature sensor, and externally by the system high and low pressure switches. The liquid line filter-drier is factory installed to protect the compressor against moisture and debris.
- **Reliable Operation** - Ball bearing fan motors provide superior performance in extreme temperatures. Factory installed accumulator ensures proper functioning across a wide range of conditions.
- **Environmentally Friendly** - CFC-free R-410A refrigerant delivers environmentally friendly performance with zero ozone depletion.
- **Top Discharge** - Warm air is blown up, away from the structure and any landscaping and allows compact location on multi-unit applications.
- **Low Operating Sound Levels** - Developed using CFD and FEA tools, the sturdy cabinet and top design provides sound performance of 72 dBA or lower. Compatible accessories for further sound reduction are also available.
- **Better Service Access** - Diagonal base valves with open access for low-loss fittings, single panel access to the electrical controls, full corner access, and removable fan guard allow easy access for unit maintenance.
- **Agency Listed** - Safety certified by CSA to UL 1995 / CSA 22.2. Performance certified to ANSI/AHRI Standard 210/240 in accordance with the Unitary Small Equipment certification program.

WARRANTY SUMMARY*

Standard 5-year limited parts warranty.

Standard 10-year limited compressor warranty.

Extended 10-Years limited parts warranty when product is registered online within 90 days of purchase for replacement or closing for new home construction.

*Does not apply to R-22 models, 3-Phase models, or internet sales.

See Limited Warranty certificate in User's Information Manual for details.

TYPICAL CLEARANCES

The minimum clearances shown below must be maintained should any patio or yard improvements be done around the outdoor unit.

- 10" Clearance Coil Area
- 60" Overhead Clearance
- 18" Minimum Service Panel Access
- 24" Minimum Unit to Unit Distance

MATCHING AIR SIDE EQUIPMENT

Model No. _____

Submittal Form No. _____

FIELD INSTALLED ACCESSORIES

Standard Low Ambient Control (S1-2LA06700424)

Advanced Low Ambient Control (S1-2LA04701024) - Accessory can only be used on models containing a PSC fan motor.

High Ambient Outdoor Fan Motor (S1-FHM_____HT)

Outdoor thermostat to prevent electric heat operation above selected set point (S1-37327982001)

Compressor Start Assist (S1-2SA067_____)*

Compressor Crankcase Heater (S1-025_____)*

Support Feet (S1-HPRKIT-_____)*

Anchor Bracket Kit (S1-1HK0401)

Indoor TXV Kit (S1-1TVM_____)*

Wall Mount Kit (S1-ACB-_____)*

Winter Cover Kit (S1-CCVRE_____)

Cold Weather Charging Tent (S1-CHGTENT01)

Touch-up Paint (S1-5130153_____)

Compressor Sound Blanket (S1-010076_____)*

* See price pages for accessory information.

Thermostat: Compatible thermostat controls are available through accessory sourcing. For optimum performance, these outdoor units are fully compatible with our Coleman Hx™ Touchscreen Thermostats available through Source1. For more information, see the thermostat section of the Product Equipment Catalog.

Refer to Technical Guide for detailed specifications on the unit and its accessories.

Verify the actual ratings for each specific matchup in the online AHRI directory at www.ahridirectory.org at the time of bid or sale. It is also recommended to print the rating certificate, if needed, at the time of bid or sale.