

Submittal Data Sheet: HMH7 Series - 17 SEER Horizontal Discharge Modulating Heat Pump

6062830-USD-A-0321

Submittal data

| | | | | | |
|------------------|------|------|------------------|---------------|--|
| Job name: | | | Location: | | |
| Purchaser: | | | Order number: | | |
| Engineer: | | | | | |
| Submitted to: | For: | Ref: | Approval: | Construction: | |
| Submitted by: | | | Date: | | |
| Unit designated: | | | Schedule number: | Model number: | |

Product data

Cooling Performance

Total capacity _____ MBH

Outdoor design temperature _____ °F

Heating performance

Total capacity _____ MBH

Outdoor design temperature _____ °F

Electrical data

Power supply _____ / _____ / _____

Compressor ampacity _____ A

Total unit ampacity _____ A

Power input requirement _____ kW

Minimum wire size _____ AWG

Maximum overcurrent device fuses circuit breaker

Weight

Unit weight _____ lb

Dimensions

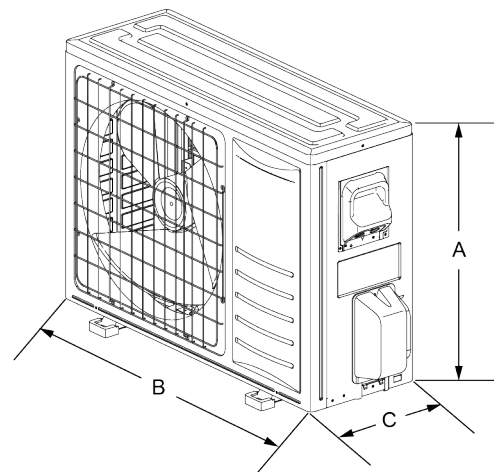
Table 1: Dimensions

| Unit model | Dimensions (in.) | | | Refrigerant connections service valve size (in.) | |
|------------|------------------|--------|--------|--|-------|
| | A | B | C | Liquid | Vapor |
| HMH72B241S | 26 3/8 | 33 7/8 | 12 1/4 | 3/8 | 5/8 |
| HMH72B361S | 33 | 37 3/8 | 13 3/8 | | 3/4 |
| HMH72B481S | 54 5/8 | 37 3/8 | 13 3/8 | | 7/8 |
| HMH72B601S | 54 5/8 | 37 3/8 | 13 3/8 | | 7/8 |

Note:

- All dimensions are in inches and are subject to change without notice.
- Overall length and width include screw heads.

Figure 1: Dimensions



A1440-001

Certification

The units are tested in accordance with the following:



Warranty summary

Extended 10-year limited parts warranty.

Extended 10-year limited compressor warranty.

Extended parts and compressor warranties require online registration within 90 days of purchase for replacement or closing for new home construction.

Warranty does not apply to R-22 models, 3-phase models, or Internet sales.

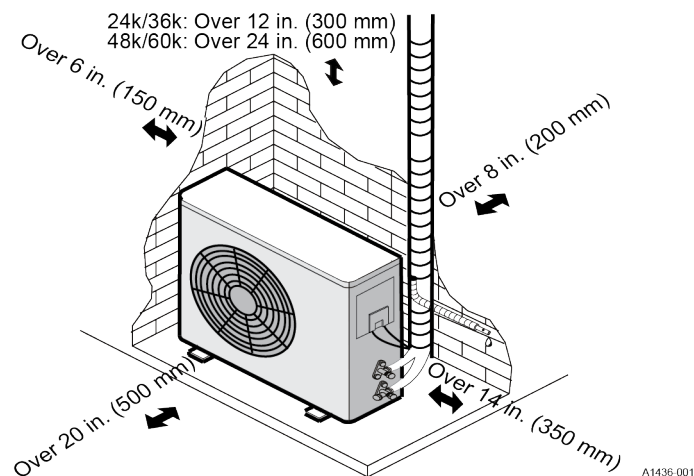
See the *Limited Warranty* certificate in the *User's Information Manual* for details.

Features

- **360 DC inverter driven technology:** With 360 all DC inverter driven technology, compressor rotation direction and speed is controlled optimizing energy usage and compressor stability through the spectrum of operating conditions. This guarantees optimal space temperature control while providing quiet operation.
- **Pressure sensor:** This unit contains pressure sensing technology, which detects low pressure in cooling mode and high pressure in heating mode to protect the system from damage. Intelligent control can also be realized by calculating the indoor coil temperature from system suction pressure.
- **Smaller outdoor form factor for installation flexibility:** This side-discharge outdoor unit saves roughly 35% space over traditional air conditioners. It offers the flexibility of wall, yard or roof installation.
- **Stable temperature control means optimal comfort:** The DC inverter is able to provide full capacity at startup to cool/warm quickly and adjusts speed to prevent temperature fluctuation and energy loss.
- **Agency Listed:** Safety certified by CSA to UL 1995/CSA 22.2. Performance certified to ANSI/AHRI Standard 210/240 in accordance with the Unitary Small Equipment certification program.

Minimum clearances

Figure 2: Minimum clearances when selecting a location



Matching air side equipment

Model number: _____

Submittal form number: _____

Field installed accessories

H Series - Horizontal Discharge Modulating Heat Pump Compatibility Kit (HMH7AK001) - The H Series outdoor section is designed for lower airflow when outdoor terminal S1 is energized and does not function correctly without this kit.

TXV Kits (S1-1TVM*) - Thermal expansion valves precisely meter refrigerant for optimum performance over a wide range of conditions.